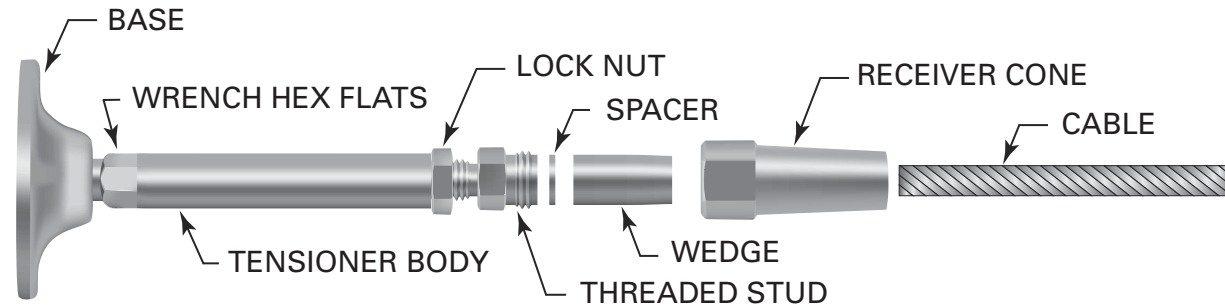




(877) 664-4224 • www.cableart.com

RAIL EASY™

TENSIONER INSTALLATION INSTRUCTIONS



1. Mount base to a flat surface using three (4mm) #8 stainless steel fasteners
2. Extend Threaded stud 3/4" for a section of 20 feet or less and extend an additional 1/4" for every 10 feet thereafter. Maximum recommended cable span is 48 feet.
3. Insert cable into receiver Cone, Wedge and Spacer until it is fully seated in the threaded Stud.
4. Thread Cone Assembly onto the Threaded Stud. tighten until threads are no longer visible (if possible) and Receiver Cone is tight.
5. TO TENSION: Hold hex flats on Threaded Stud with a wrench. Place a wrench on hex flats of Tensioner Body and rotate Tensioner Body as needed. Tension cable equally from both ends of each cable span.
6. Tighten Lock Nuts to secure tension.
7. Add "Non-Acidic" Silicone Sealant to open tip of Receiver Cone in harsh environments.

