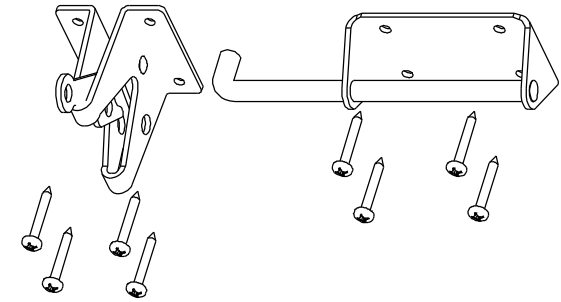
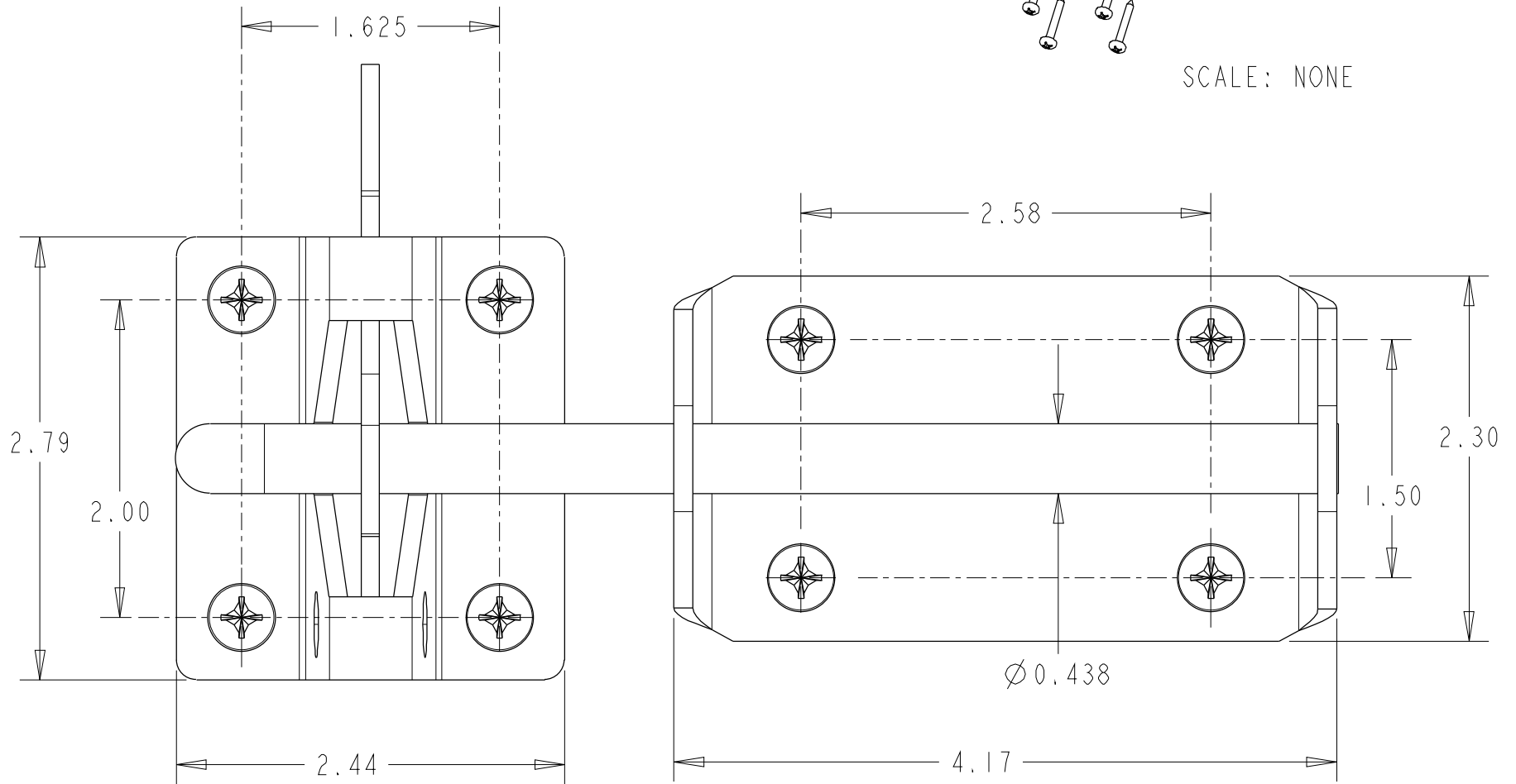


CONTENTS	QTY.
CATCH ASSEMBLY; STANLEY 1264	1
LATCH BAR/PULL ASSEMBLY; STANLEY 1264	1
SCREW, #12 X 1-1/2" PAN HD	8



SCALE: NONE



NOTES:

1. DIMENSIONS SHOWN ARE NOMINAL.
2. FASTENERS MUST BE HPC SEAL COATED WITH BLACK POWDERCOATED HEADS PER APPROVED SAMPLE.

D&D 210002 GRAVITY LATCH