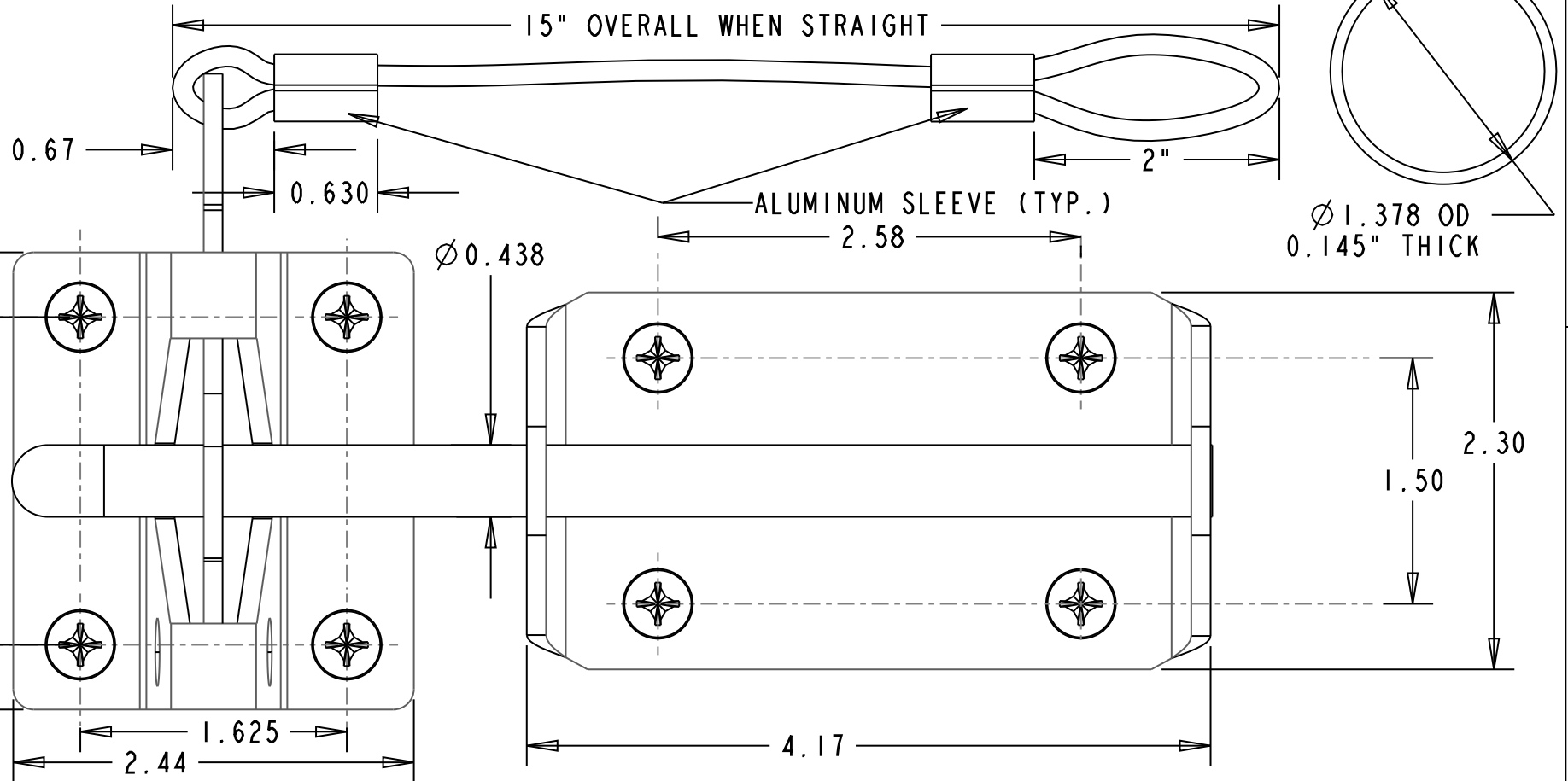
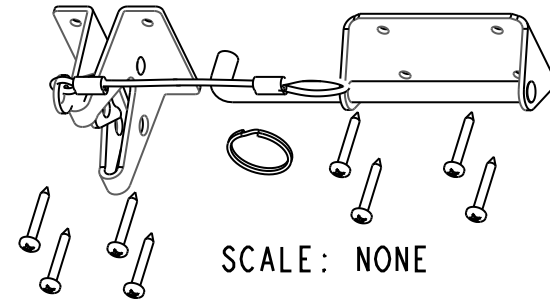


210007

CONTENTS	QTY.
CATCH ASSEMBLY; STANLEY 1264	1
LATCH BAR/PULL ASSEMBLY; STANLEY 1264	1
SCREW, #12 X 1-1/2" PAN HD	8
BRAIDED ROPE; \varnothing 0.11" WIRE WITH \varnothing 0.12" OVER PLASTIC COAT	1
RING, SIZE PER APPROVED SAMPLE	1



NOTES:

1. DIMENSIONS SHOWN ARE NOMINAL.
2. FASTENERS MUST BE HPC SEAL COATED WITH BLACK POWDERCOATED HEADS PER APPROVED SAMPLE.

REVISED 1/05/2010. JDG

D&D 210007 LATCH W/ CABLE & RING