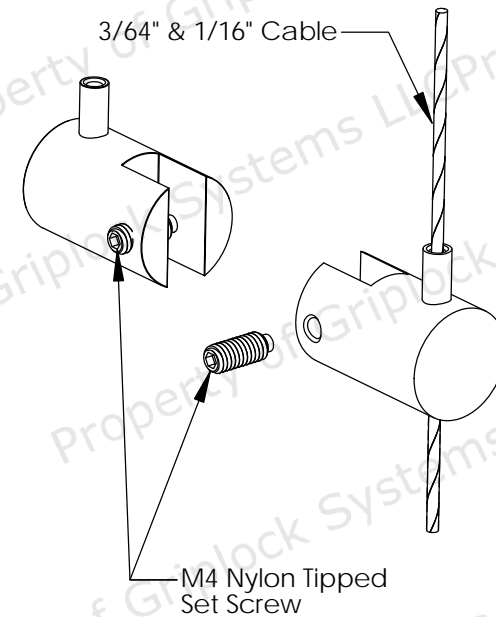
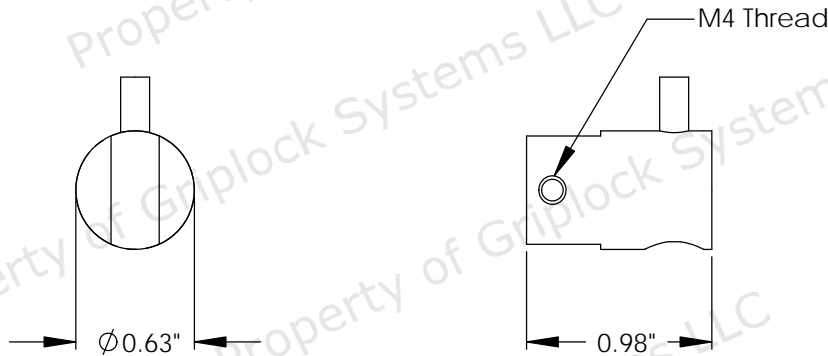


Available in Right and Left Versions



PROPRIETARY AND CONFIDENTIAL This drawing and these specifications are the exclusive property of GRIPLOCK SYSTEMS, LLC and shall not be divulged, reproduced, copied, or used as the basis for the manufacture or sale of apparatus without the express written authorization of GRIPLOCK SYSTEMS, LLC.		GRIPLOCK SYSTEMS 410 Palm Ave. Loft A18, Carpinteria, CA93013 Phone (805) 566-0064 Fax (805) 566-0065
MATERIAL: NICKEL PLATED BRASS		
SCALE: 1:1	SHEET 1 OF 1	DESCRIPTION: Vert. Side Clamp Gripper for 3/64" & 1/16" 7x7 or 7x19 Cable